

DATAMARS  
**Livestock**<sup>™</sup>



You can't control what  
you can't handle.

Handling solutions for safe,  
efficient and controlled livestock  
management.



# For us, animal handling is more than a routine task. It is the foundation of efficient livestock management.

Datamars Livestock, a division of the international Datamars group, offers a dedicated range of livestock handling solutions designed to help farmers manage animals safely, efficiently and with greater control throughout everyday farm operations.

Handling plays a central role in livestock management. Whether weighing animals, carrying out health treatments, collecting identification data or performing routine husbandry procedures, the ability to move, restrain and manage livestock effectively has a direct impact on animal welfare, operator safety and overall farm productivity.

Well-designed handling systems help create a controlled working environment where animals can be managed with less stress and greater consistency. By improving animal flow and supporting low-stress handling practices, they help simplify routine operations while maintaining high standards of welfare and safety.

Modern livestock operations also require handling solutions that support accurate data collection and informed decision-making. When integrated with weighing and electronic identification technologies, handling systems become valuable management tools that help farmers monitor performance, improve efficiency and make more informed decisions.

With this catalogue, Datamars Livestock introduces a range of handling solutions developed to support safer, more efficient and more controlled livestock management, helping farmers improve daily operations while creating better outcomes for both animals and operators.



# Index

**SHEEP HANDLING SOLUTIONS**

---

6-9



**CATTLE HANDLING SOLUTIONS**

---

10-12



# Why does handling matter?

Handling livestock is about far more than moving animals from one location to another. Every weighing session, health treatment, identification procedure, drafting decision or routine inspection depends on the ability to manage animals safely, efficiently and with minimal stress. **The way livestock move through a handling system influences not only operational efficiency, but also animal welfare, operator safety and the quality of the information collected during routine farm activities.**

Effective handling systems help create a **controlled environment** where animals can **move more naturally and consistently** through management procedures. By improving animal flow and reducing unnecessary pressure during handling operations, farmers can **complete essential tasks more efficiently while creating a calmer working environment for both animals and operators.**

Reducing stress during handling is an important aspect of modern livestock management. Animals that move more willingly through handling facilities are easier to manage and less likely to experience injuries or setbacks associated with stressful handling events. **Consistent and low-stress handling practices** contribute to **improved welfare standards** while helping farmers carry out routine **procedures more effectively.**



**Well-designed handling systems also improve operator safety.** Secure restraint and controlled animal movement help reduce the physical demands associated with routine livestock management while creating safer working conditions during weighing, treatment, inspection and drafting procedures. This **allows operators to perform essential tasks with greater confidence and control.**

Handling systems play an **important role in improving operational efficiency** across the farm. **Activities** such as weighing, identifying, sorting and treating animals **can be carried out more quickly and consistently, reducing labour requirements** while helping farmers make better use of available time and resources.

As livestock production becomes increasingly data-driven, **handling systems have evolved into valuable management tools.** When integrated with weighing and electronic identification technologies, they **create structured opportunities for collecting accurate animal information.** This data helps farmers monitor performance, support management decisions and improve productivity across the entire operation.

With Datamars Livestock handling solutions, farmers can **combine animal handling, weighing and identification within a single workflow,** helping create safer operations, improved welfare standards and more efficient livestock management.

***Good handling is not simply part of the job, it's a fundamental component of modern livestock production.***





DATAMARK  
**Livestock**



# Sheep Handling Solutions

**Datamars Livestock sheep handling solutions are designed to support key flock management activities**, including weighing, drafting, treatment and routine husbandry procedures. Developed for modern sheep operations, **these systems help farmers manage animals more effectively while supporting safe and controlled handling throughout the production cycle.**

The range includes manual and automatic drafting systems that enable sheep to be sorted according to weight, identification or management criteria. By organising animals into specific groups, farmers can carry out targeted management actions more efficiently, whether selecting replacement stock, preparing animals for market or managing treatment programs.

Specialised handling equipment provides secure restraint during procedures such as marking, vaccination, inspection and treatment. Designed to **improve operator access while maintaining animal security**, these solutions help simplify essential husbandry tasks and support consistent handling practices across different flock sizes and production systems.

**Many solutions can be integrated with Tru-Test weigh scales and EID readers**, enabling identification and performance data to be captured during normal handling activities. By combining handling, weighing and electronic identification within a single workflow, **farmers can collect accurate information while reducing additional handling requirements.**

The ability to capture reliable data during routine operations helps transform everyday flock management activities into valuable opportunities for monitoring performance and supporting informed decision-making. **Information collected during weighing and identification procedures can contribute to improved animal management, productivity and long-term flock performance.**

Built for demanding farming environments, **Datamars Livestock sheep handling solutions combine robust construction, practical design and compatibility with industry-leading livestock management technologies.** Together, they provide farmers with the tools needed to manage sheep safely, efficiently and with greater confidence throughout everyday farm operations.

# 3-Way Manual Sheep Drafter

Product code: 890 0000-104

## SIMPLICITY & CONTROL

For those who want accurate weighing and practical animal sorting without added complexity.

- ✓ Enables accurate weighing and 3-way sheep drafting
- ✓ Supports efficient animal sorting during routine flock management
- ✓ Independent floor design improves weighing accuracy
- ✓ Sliding gates promote smooth and consistent sheep flow
- ✓ Lightweight aluminium construction for easy transport
- ✓ Designed for simple operation by a single user

Dimensions (L x W x H): 150 x 60 x 130 cm

Weight: 70 kg



# 3-Way Automatic Sheep Drafter

Product code: 890 0000-102

## AUTOMATED WEIGHING & DRAFTING

For those looking to improve flock management through automated weighing, sorting and data collection.

- ✓ Enables automatic weighing and 3-way sheep drafting
- ✓ Automatically sorts sheep using predefined drafting criteria
- ✓ Supports accurate data collection through EID integration
- ✓ Compatible with Tru-Test weighing systems
- ✓ User-friendly operation for everyday flock management
- ✓ Durable construction for demanding farm environments

Dimensions (L x W x H): 163.3 x 62 x 127 cm

Weight: 97 kg





## 5-Way Automatic Sheep Drafter

Product code: 890 0000-103

### HIGH-THROUGHPUT AUTOMATION

For those looking to maximise throughput, automate animal sorting and capture performance data during handling operations.

- ✓ Enables automatic drafting into up to five groups
- ✓ Integrated RFID reader supports automatic identification
- ✓ Designed for high-throughput sheep handling operations
- ✓ Independent entry and exit gates improve weighing accuracy
- ✓ Dual-side controls simplify daily operation
- ✓ Heavy-duty galvanised construction for long-term durability

#### STUD MASTER

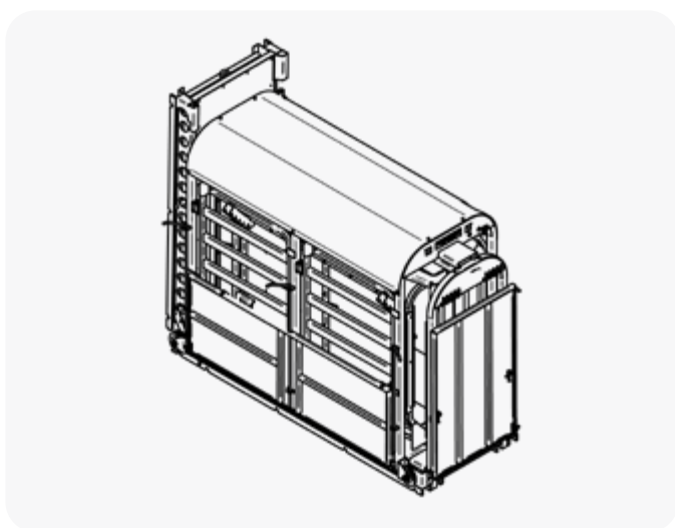
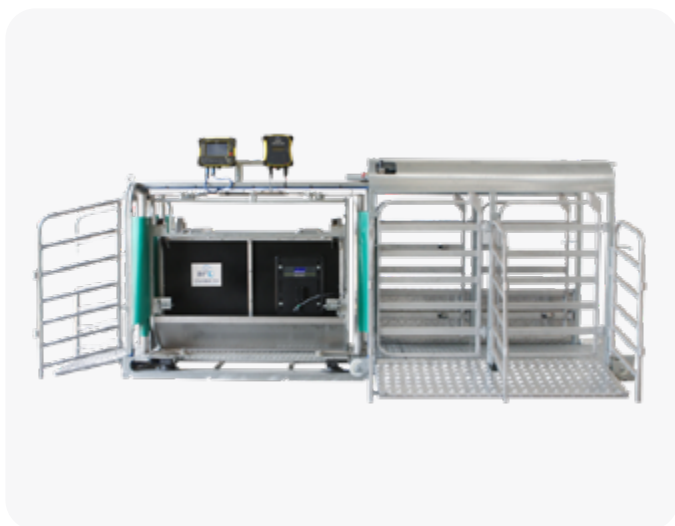
Dimensions (L x W x H): 200 x 75 x 160 cm

Weight: 350 kg

#### TRAILER ONLY

Dimensions (L x W): 380.7 x 195 cm

Weight: 300 kg



## Clamp Master

Product code: 890 0000-145

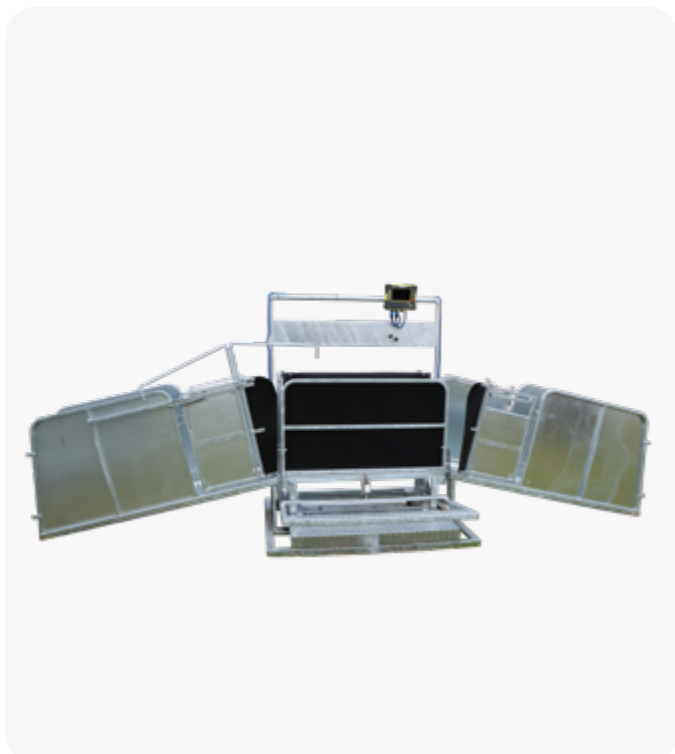
### SAFE & EFFICIENT RESTRAINT

For those looking to simplify sheep treatment, inspection and handling operations.

- ✓ Adjustable clamp accommodates sheep of different sizes
- ✓ Foot-operated control keeps both hands free during handling
- ✓ Non-slip floor provides secure animal footing
- ✓ Mobile design integrates easily into existing race systems
- ✓ Compatible with Tru-Test weighing and EID readers

Dimensions (L x W x H): 145 x 110 x 178 cm

Weight: 186 kg



# Lamb Master

Product code: 890 0000-062

## FAST & PRACTICAL LAMB HANDLING

For those looking to simplify lamb processing and routine husbandry procedures.

- ✓ Designed for marking, tagging, vaccinating, dosing, castration and tail docking
- ✓ Provides secure restraint and full animal access during processing
- ✓ Adjustable cradle and roller spacing ensure secure restraint across different lamb sizes
- ✓ Designed to streamline routine lamb processing activities
- ✓ Lightweight and compact design for easy transport and setup
- ✓ Durable construction designed for long-term reliability

### LAMB MASTER

**Dimensions (L x W x H):** 200 × 50 × 80 cm

**Weight:** 100 kg

### EXTENSION

**Dimensions (L x W x H):** 120 × 50 × 80 cm

**Weight:** 50 kg





# Cattle Handling Solutions

**Datamars Livestock cattle handling solutions are designed to support key herd management activities**, including weighing, treatment, inspection and routine handling procedures. Developed for modern cattle operations, **these systems help farmers manage animals safely and effectively while maintaining control throughout the handling process.**

The range includes **weighing and restraint solutions** designed to provide secure animal control during everyday management activities. By creating a controlled handling environment, **farmers can carry out weighing, inspection and treatment procedures more consistently while maintaining high standards of animal welfare and operator safety.**

**Secure restraint plays an important role in cattle management.** Whether carrying out routine health treatments, veterinary procedures or reproductive management activities, **controlled animal positioning helps improve operator access while reducing stress during handling operations.**

Many systems are designed with **multiple access points** that allow operators to work efficiently around the animal while maintaining safe restraint. **This helps simplify routine procedures and**

**supports a more practical approach to day-to-day herd management.**

Many solutions can be **integrated with Tru-Test weighing technologies**, enabling weight information to be collected during normal handling activities. **By combining animal restraint and weighing within a single workflow, farmers can gather accurate performance data while reducing the need for additional animal movements.**

The ability to capture reliable weight information during routine operations **helps support more informed management decisions.** Data collected during weighing procedures can contribute to improved performance monitoring, treatment planning and long-term herd management strategies.

Built for demanding farming environments, Datamars Livestock cattle handling solutions **combine robust construction, practical design and reliable performance.**

**Together, they provide farmers with the tools needed to manage cattle safely, efficiently and with greater confidence throughout everyday farm operations.**

# Calf Scale

Product code: 890 0000-246

## MOBILE & ACCURATE WEIGHING

For those looking for a practical and reliable solution for weighing calves wherever it is needed.

- ✓ Designed for fast and accurate calf weighing
- ✓ Mobile crate can be positioned wherever required on the farm
- ✓ Compatible with Tru-Test weigh scales and EID technologies
- ✓ Reliable animal performance monitoring and data collection
- ✓ User-friendly design simplifies weighing operations
- ✓ Durable construction built for demanding farm environments

**Dimensions (L x W x H):** 140 × 65 × 120 cm

**Weight:** 60 kg



# Cattle Master 90

Product code:  
890 0000-207

## SECURE RESTRAINT & ANIMAL CONTROL

For those looking for safe and reliable cattle restraint during routine handling procedures.

- ✓ Body, neck and head clamps provide secure animal restraint
- ✓ Multiple access doors support treatment and inspection procedures
- ✓ Compatible with Tru-Test weighing systems for performance monitoring
- ✓ Designed to improve operator access during handling activities
- ✓ Supports low-stress handling and animal welfare practices
- ✓ Robust construction built for demanding farm environments

**Dimensions (L x W x H):** 230 × 110 × 210 cm

**Weight:** 660 kg





## Cattle Master 110

Product code:  
890 0000-156

### ADVANCED ACCESS & ANIMAL CONTROL

For those looking for greater access and flexibility during cattle handling and veterinary procedures.

- ✓ Body, neck and head clamps provide secure animal restraint
- ✓ Dedicated veterinarian access door facilitates AI procedures
- ✓ Multiple access doors support treatment and inspection procedures
- ✓ Compatible with Tru-Test weighing systems for performance monitoring
- ✓ Designed to improve operator access during advanced handling activities
- ✓ Robust construction built for demanding farm environments

**Dimensions (L x W x H):** 163.3 x 62 x 127 cm

**Weight:** 97 kg





# THERE IS ALWAYS SOMETHING NEW TO LEARN

Discover the Datamars Livestock Training Academy, a free online platform offering courses on livestock handling, animal restraint, drafting systems and best practices that contribute to safer, more efficient and more controlled livestock management.

The training is designed to improve practical skills, support low-stress handling techniques and help farmers make the most of handling, weighing and identification technologies. The goal is to turn everyday handling activities into opportunities for improving animal welfare, operator safety and overall farm efficiency.

 Free Access

 Reviewable Courses

 Training Materials

 Digital Certifications



For more information, visit our website:

 [academy.livestock.datamars.com](https://academy.livestock.datamars.com)

**DATAMARS**  
***Livestock***<sup>TM</sup>



Join our community  
on Instagram